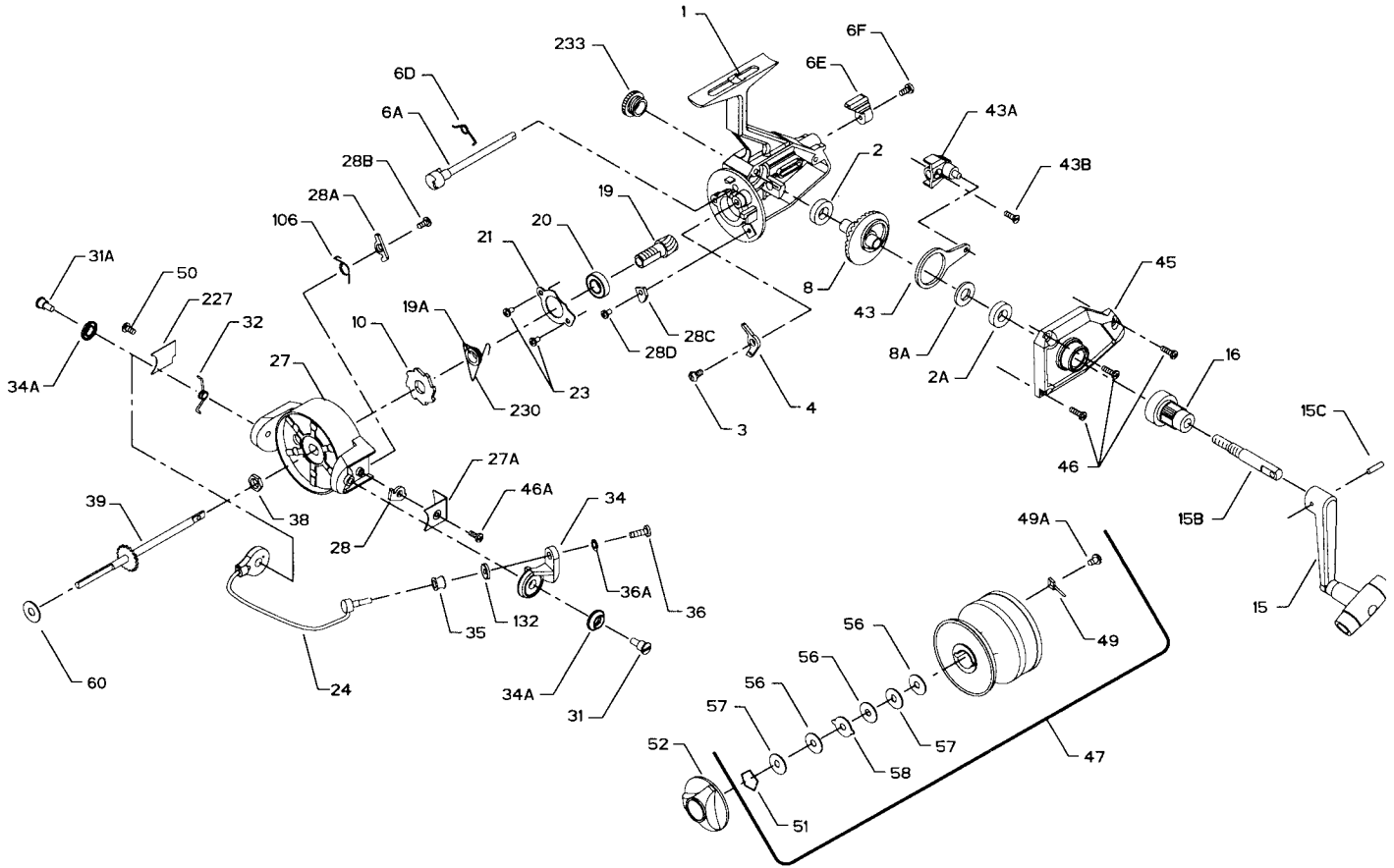




PARTS AND PRICE LIST FOR MODEL 105C



Key No.	Part No.	Description	Price	Key No.	Part No.	Description	Price
1	1-105C	Housing w/Bushing & Emblem	\$18.70	31A	31A-103	Bail Wire Mounting Screw	.80
2	2-105	Housing Bushing	1.05	32	32-105C	Bail Spring	.80
2A	2-105	Cover Bushing	1.05	34	34-105	Bail Arm	2.05
3	3-105C	Dog Mounting Screw	.70	34A	34A-105	Bail Arm Spacer	.60
4	4-105C	Dog w/Finger Spring	2.25	35	35-105C	Line Roller	2.65
6A	6A-105C	Eccentric	2.30	36	36-105	Bail Stud Screw	.40
6D	6D-105	Eccentric Spring	.60	36A	36A-105	Lock Washer	.40
6E	6E-105	Eccentric Lever	.80	38	38-105	Rotor Nut	.50
6F	31-101	Eccentric Lever Mounting Screw	.50	39	39-105C	Crosswind Shaft	5.65
8	8-105C	Main Gear Assembly	6.15	43	43-105C	Crosswind Arm	1.05
8A	8A-105	Main Gear Shim	.50	43A	43A-105C	Crosswind Block	1.90
10	10-105C	Anti-Reverse Ratchet	1.05	43B	43B-105	Crosswind Arm Screw	.40
15	15-105	Handle (Complete)	8.40	45	45-105C	Housing Cover w/Bushing	7.05
15B	15B-105	Handle Shaft	2.50	46	46-103	Housing Cover Screw (3 req.)	.40
15C	15C-105	Handle Pivot Pin	.50	46A	31-101	Rotor End Cover Screw	.50
16	16-105	Handle Collar	2.50	47	47-105C	Spool (Complete)	20.00
19	19-105C	Pinion Gear	5.25	49	49-103	Click Spring	.90
19A	19A-105C	Pinion Gear Spacer	1.25	49A	28D-101	Click Spring Screw	.40
20	20-105C	Ball Bearing	10.15	50	23-103	Bail Spring Cover Screw	.45
21	21-105C	Bearing Cover	1.05	51	51-105	Retaining Ring	.40
23	23-105	Bearing Cover Screw (2 req.)	.45	52	52-105C	Drag Knob	3.65
24	24-105C	Bail Wire	7.40	56	56T-105	Drag Washer (Teflon®) (3 req.)	.80
27	27-105C	Rotor Cup	12.15	57	57-105	Drag Washer (Keyed) (2 req.)	.50
27A	27A-105C	Rotor End Cover	.80	58	58-105	Drag Washer (Ear)	.50
28	28-105C	Trip Lever	1.05	60	60-105	Thrust Washer (Teflon®)	.45
28A	28A-105C	Cam Lever	1.05	106	106-105C	Cam Lever Spring	.70
28B	28B-105	Cam Lever Mounting Screw	.40	132	132-105C	Roller Washer	.80
28C	28C-105C	Trip Cam	1.05	227	227-105C	Bail Spring Cover	.80
28D	46A-103	Cam Mounting Screw	.40	230	230-105C	Silent Dog Spring	.45
31	31-103	Bail Arm Screw	.80	233	233-105	Housing Handle Cap	1.05